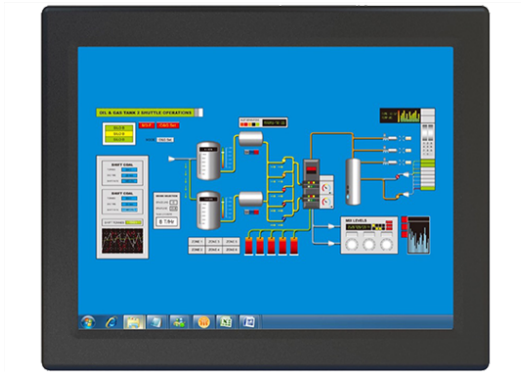




## ARP-3615AP

Panel Mount Thin Client Panel PC with 15 inch 5-Wire Resistive Touch



### Features

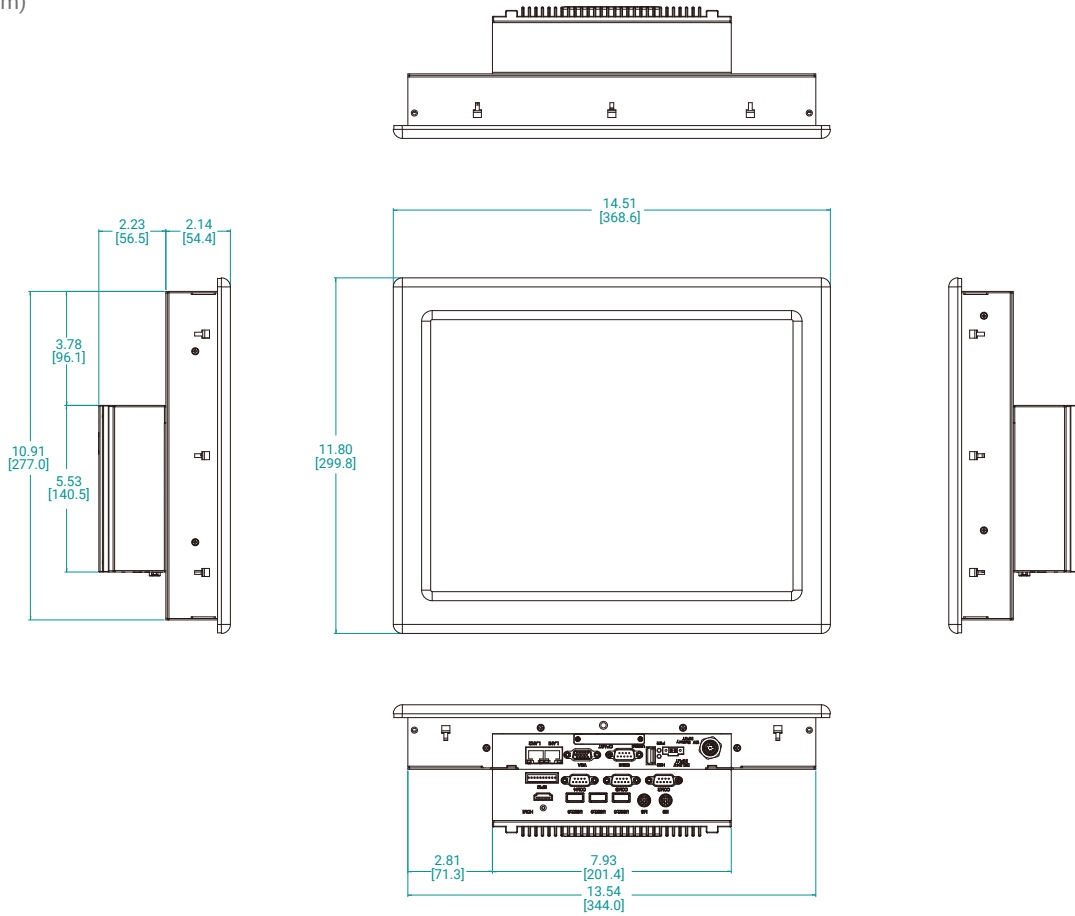
- 15" LCD, 1024 x 768 Resolution
- 5-Wire Resistive Touch
- Aluminum or Stainless-Steel Bezel
- Intel Celeron J1900 @ 1.99GHz / Atom E3845 @ 1.91GHz CPU; Intel i7-6600U, i5-6300U, Celeron-3855U
- 4GB DDR3 SO-DIMM
- Dual Gigabit Ethernet
- 4 x RS-232/422/485 BIOS Selectable
- 1 x USB 3.0, 3 x USB 2.0 ports

### Specifications

Model Name	ARP-3615AP	
	E01	H01
<b>LCD Display</b>		
Display Size (Diagonal)	15.0 inch	15.0 inch
Resolution	1024 x 768	1024 x 768
Backlight Lifetime (Hours)	50,000	50,000
<b>Visual Characteristics</b>		
Colors	16.7 million	16.7 million
Aspect Ratio	4:3	4:3
Viewing Angle (V/H)	140° / 160°	140° / 160°
Contrast Ratio	700 : 1	700 : 1
Brightness	300 nits (Typical)	300 nits (Typical)
<b>Touchscreen</b>		
Technology	5 Wire Resistive	5 Wire Resistive
Interface	USB	USB
Driver	Windows 7, 8 & 10	Windows 10
<b>Front Bezel</b>		
NEMA 4	Black Powder Coated Aluminum	Black Powder Coated Aluminum
NEMA 4x	Stainless Steel (Optional)	Stainless Steel (Optional)
<b>System</b>		
CPU	Intel Celeron J1900 @ 1.99GHz / Atom E3845 @ 1.91GHz CPU	Intel i7-6600U, i5-6300U, Celeron-3855U
Chipset	Bay Trail	Skylake
Memory	Up to 8GB DDR3 SO-DIMM	Up to 16GB DDR4 SO-DIMM
Video Controller	Intel Gen7 Intel Graphics DX 11, OGL3.2	INTEL HD Graphics 520
External Video Output	VGA, HDMI	VGA, HDMI
Storage Option	2.5" SSD,	2.5" SSD,
Compact Flash	Optional	Optional
Keyboard / Mouse	USB / PS2	USB / PS2
Audio	N/A	N/A
Watchdog Timer	Programmable 1 - 255 sec	Programmable 1 - 255 sec
Remote Boot	ThinManager Ready, PXE	ThinManager Ready, PXE
Expansion Slot	Mini PCIe x 2	Mini PCIe x 1
<b>I/O Communication</b>		
USB Port	1 x USB 3.0, 3 x USB 2.0	1 x USB 3.0, 3 x USB 2.0
Serial Port	4 x RS-232/422/485 BIOS Selectable	4 x RS-232/422/485 BIOS Selectable
IEEE 1394	N/A	N/A
LAN	2 x Gigabit	2 x Gigabit
Parallel	N/A	N/A
GPIO	4 x DI, 4 x DO	4 x DI, 4 x DO
<b>Smart Battery</b>		
External Smart Battery	Optional	Optional
<b>OS Support</b>		
OS Support	Windows 7, 8 & 10	Windows 10
<b>Power/Thermal Specs</b>		
Power Requirement (Max)	24VDC / 1.31A	24VDC / 1.7A
Power Consumption (Max)	32 W	40W
Recommended Power Supply	45 W	60W
Heat Dissipation	108 BTU/hr	136 BTU/hr
<b>Physical Information</b>		
Mounting	Panel Mount	Panel Mount
Net Weight	13 Lbs / 5.90 Kg	13 Lbs / 5.90 Kg
Dimension (W x H x D)	14.51 x 11.80 x 4.37 inch 368.6 x 299.8 x 110.9 mm	14.51 x 11.80 x 4.37 inch 368.6 x 299.8 x 110.9 mm
Recommended Cutout Dimension (WxH)	13.71 x 11.11 inch 348.4 x 282.0 mm	13.71 x 11.11 inch 348.4 x 282.0 mm
<b>Environmental</b>		
Operating Temperature	0~50°C (32~122°F)	0~50°C (32~122°F)
Storage Temperature	-20~60°C (-4~140°F)	-20~60°C (-4~140°F)
Relative Humidity	0~95%	0~95%
IP/NEMA Rating	Bezel meets NEMA 4/4X requirement	Bezel meets NEMA 4/4X requirement
Certification	UL 61010	UL 61010

# Dimension Drawing

Model Name: ARP-3615AP  
 Size Unit: inch(mm)



## Ordering Information

Item	ARP-3615AP-E01-003	ARP-3615AP-E01-007
LCD Display	15.0" LCD / 1024 x 768	15.0" LCD / 1024 x 768
Touch Screen	5-Wire	5-Wire
Bezel	Black Powder Coated Aluminum	Stainless Steel
CPU	Intel Celeron J1900 @ 1.99GHz / Atom E3845 @ 1.91GHz CPU	Intel Celeron J1900 @ 1.99GHz / Atom E3845 @ 1.91GHz CPU
Memory	4GB DDR3	4GB DDR3
Storage	N/A	N/A
Remote Boot	ThinManager Ready	ThinManager Ready
Power Supply	110/220VAC Input DIN-Rail	110/220VAC Input DIN-Rail

Item	ARP-3615AP-E01-031	ARP-3615AP-E01-035
LCD Display	15.0" LCD / 1024 x 768	15.0" LCD / 1024 x 768
Touch Screen	5-Wire	5-Wire
Bezel	Black Powder Coated Aluminum	Stainless Steel
CPU	Intel Celeron J1900 @ 1.99GHz / Atom E3845 @ 1.91GHz CPU	Intel Celeron J1900 @ 1.99GHz / Atom E3845 @ 1.91GHz CPU
Memory	8GB DDR3	8GB DDR3
Storage	2.5" SATA SSD	2.5" SATA SSD
Remote Boot	N/A	N/A
Power Supply	110/220VAC Input DIN-Rail	110/220VAC Input DIN-Rail

Item	ARP-3615AP-H01-031-700	ARP-3615AP-H01-035-700
LCD Display	15.0" LCD / 1024 x 768	15.0" LCD / 1024 x 768
Touch Screen	5-Wire	5-Wire
Bezel	Black Powder Coated Aluminum	Stainless Steel
CPU	i7-6600U	i7-6600U
Memory	16GB DDR4	16GB DDR4
Storage	2.5" SATA SSD	2.5" SATA SSD
Remote Boot	N/A	N/A
Power Supply	110/220VAC Input DIN-Rail	110/220VAC Input DIN-Rail